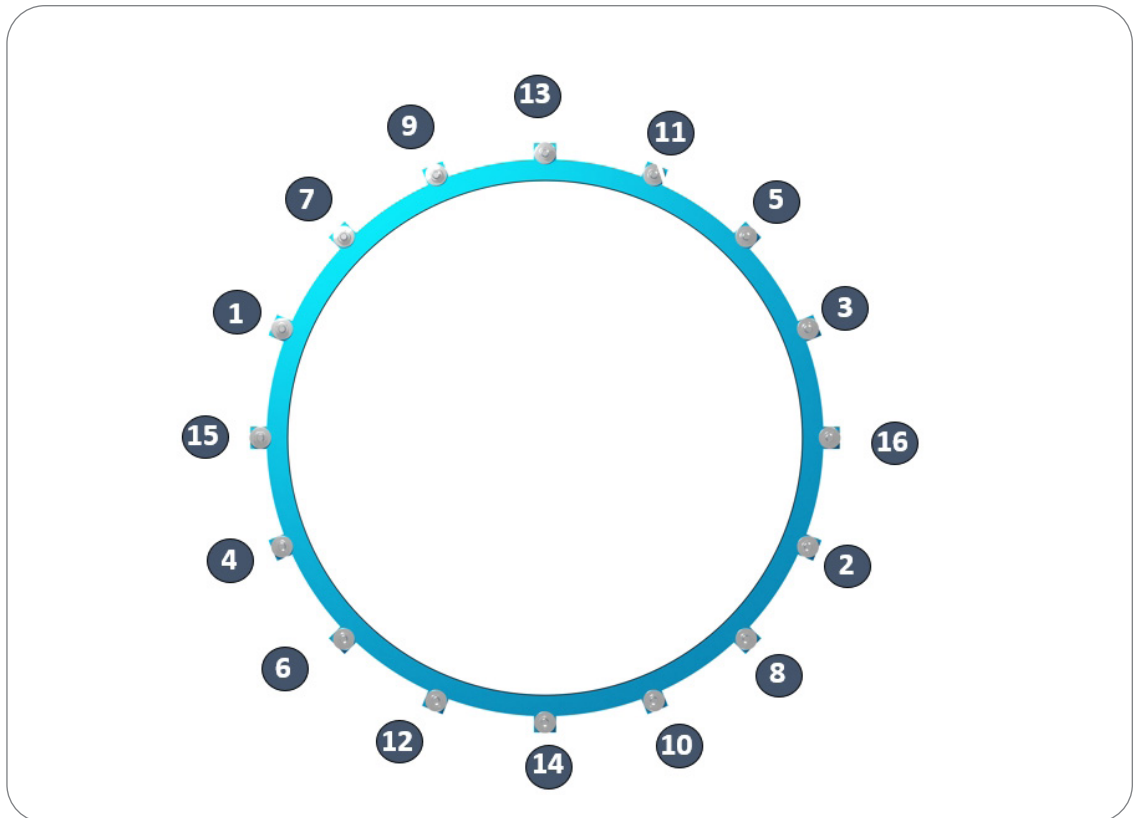
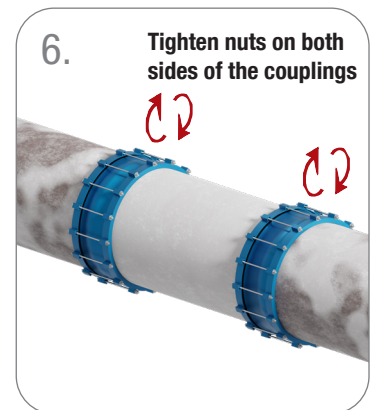
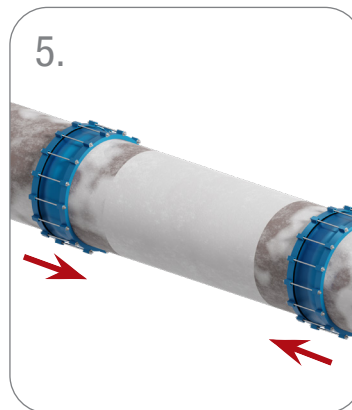
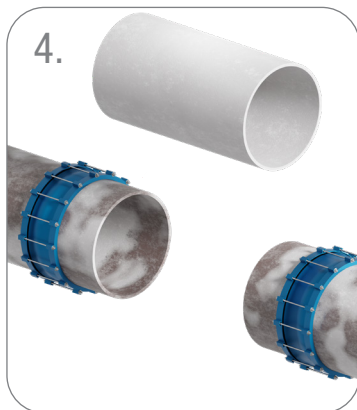
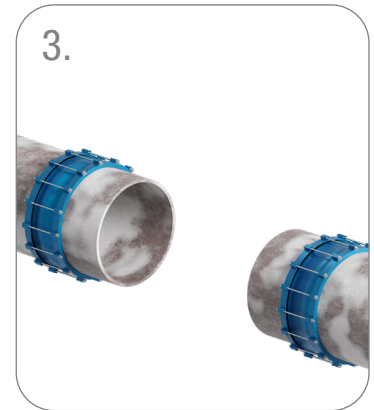
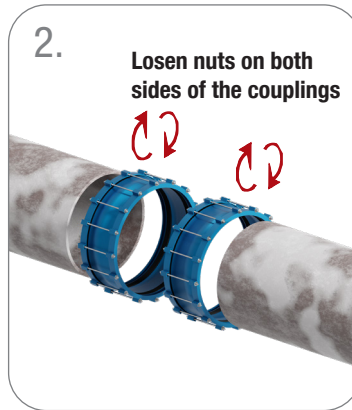




Mounting instruction / Montagevejledning
Einbauanleitung / Instruction de montage



**AVK SUPER HYDRO
FABRICATED COUPLING**

8004

Ref. No.: XXXXXXXXXX

CHECK !



www.avkvalves.eu

SUGGESTED TORQUE FOR UNIVERSAL COUPLING AND FLANGE ADAPTORS

BOLT SIZE	MIN. RANGE mm	MAX RANGE mm	TORQUE Nm	PIPE MATERIAL
M14	222-250 mm	406-432 mm	60/80 Nm	PE and metal pipes
M16	465-500 mm	780-820 mm	100/120 Nm	
M20	500-540 mm	>820 mm	130-150 Nm	

SUGGESTED TORQUE FOR HydroGrip END-RESTRAINT COUPLINGS AND FLANGE ADAPTORS

TORQUE Nm	MIN. RANGE mm	MAX RANGE mm	HydroGrip 1 or 2	PIPE MATERIAL
50 Nm	222-250 mm	780-820 mm	1	PE PIPE
120 Nm	222-250 mm	780-820 mm	2	Metal pipes
130/140 Nm	>820 mm		1/2	PE and metal pipes

Expect... **AVR**